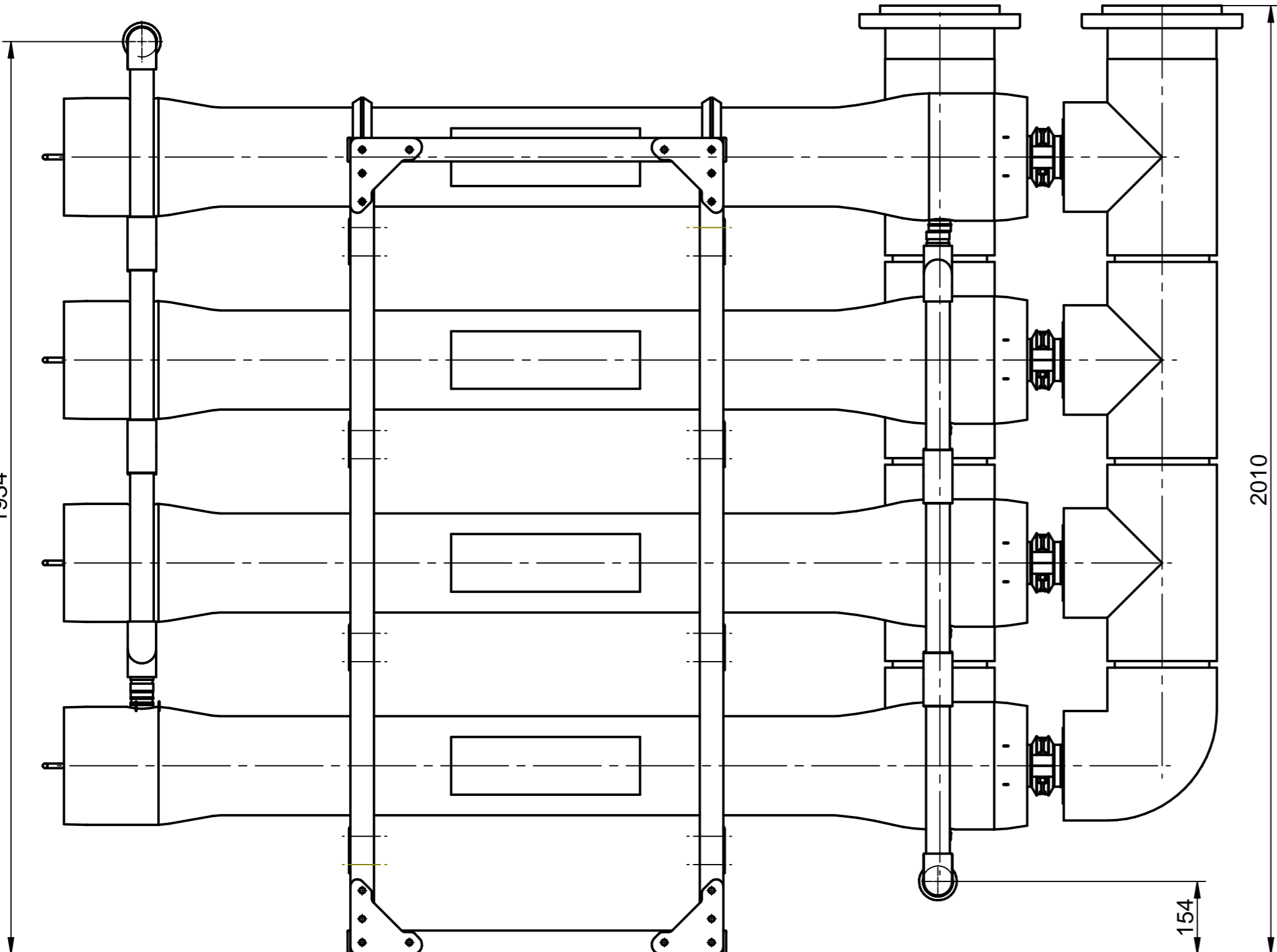
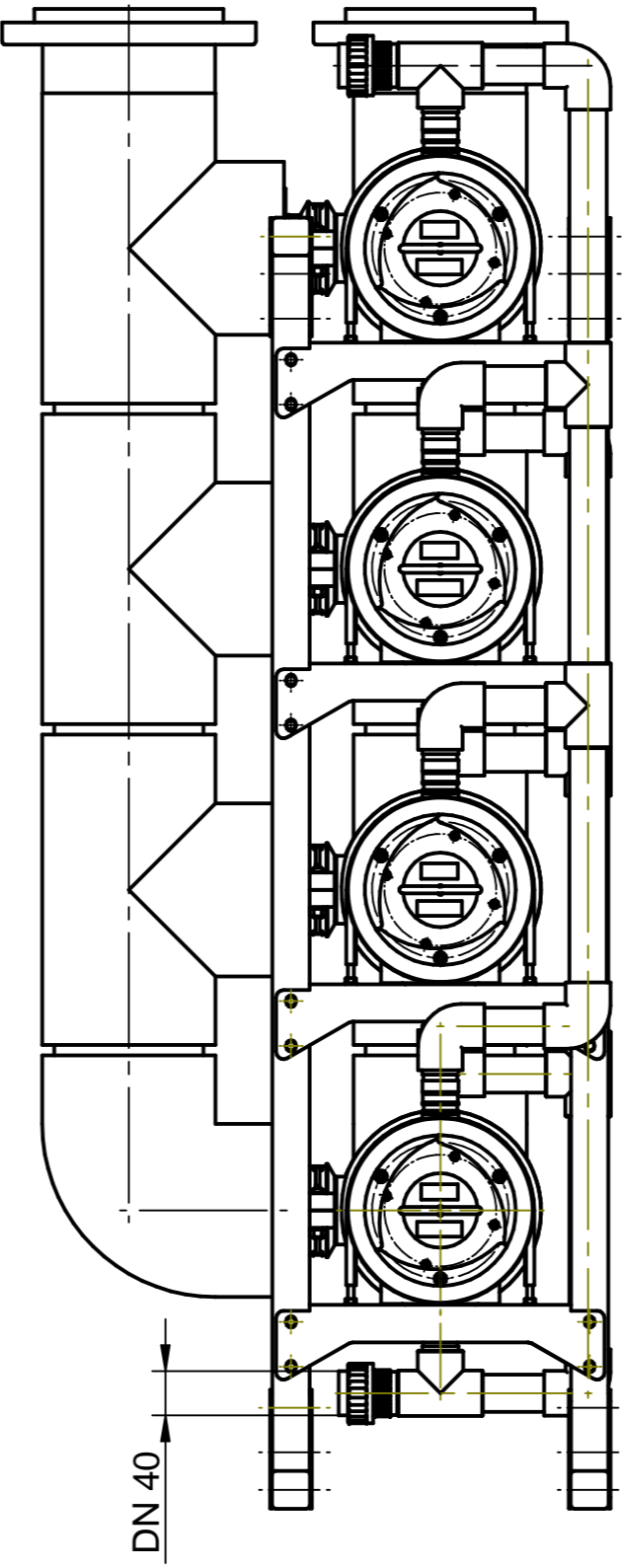


1934



2010

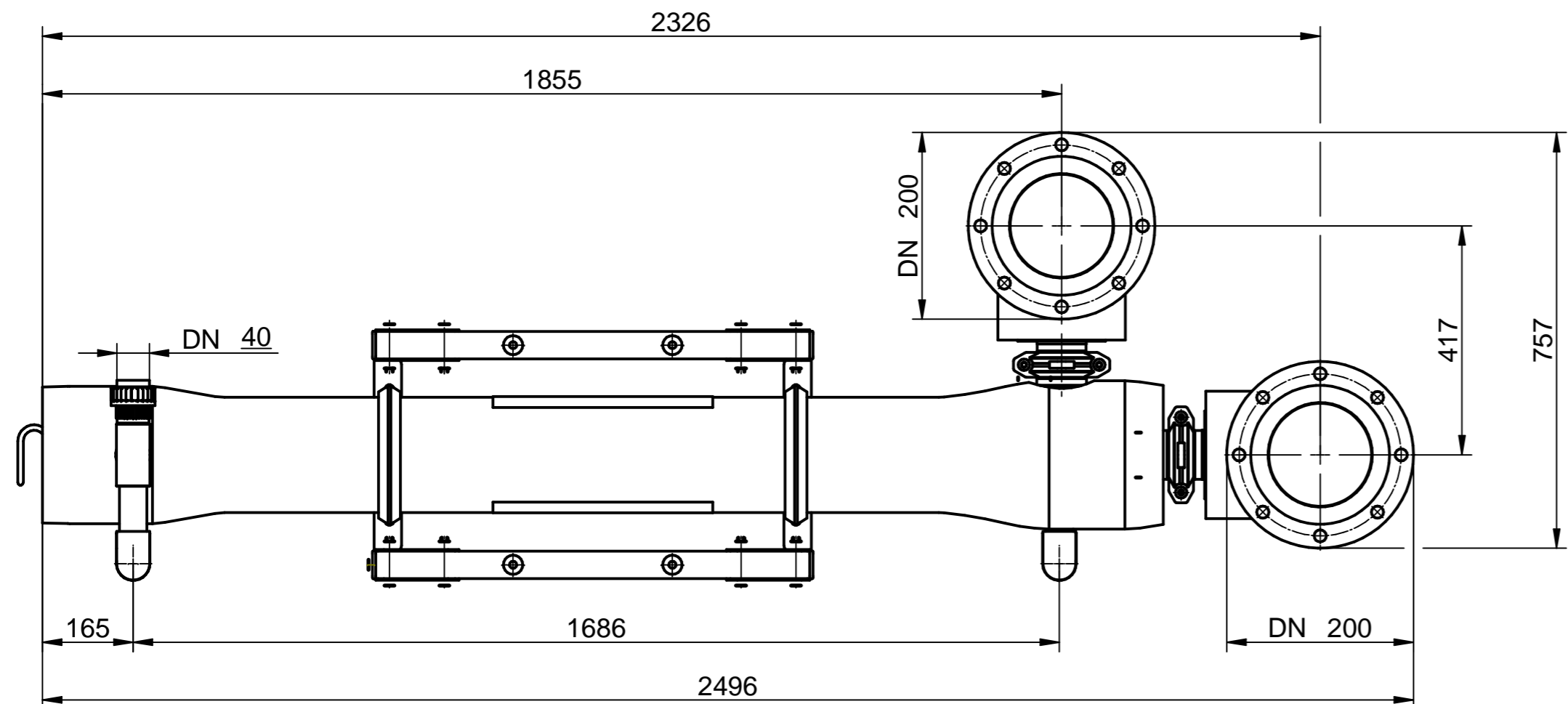


154

DN 40

1855

2326



DN 200

417

757

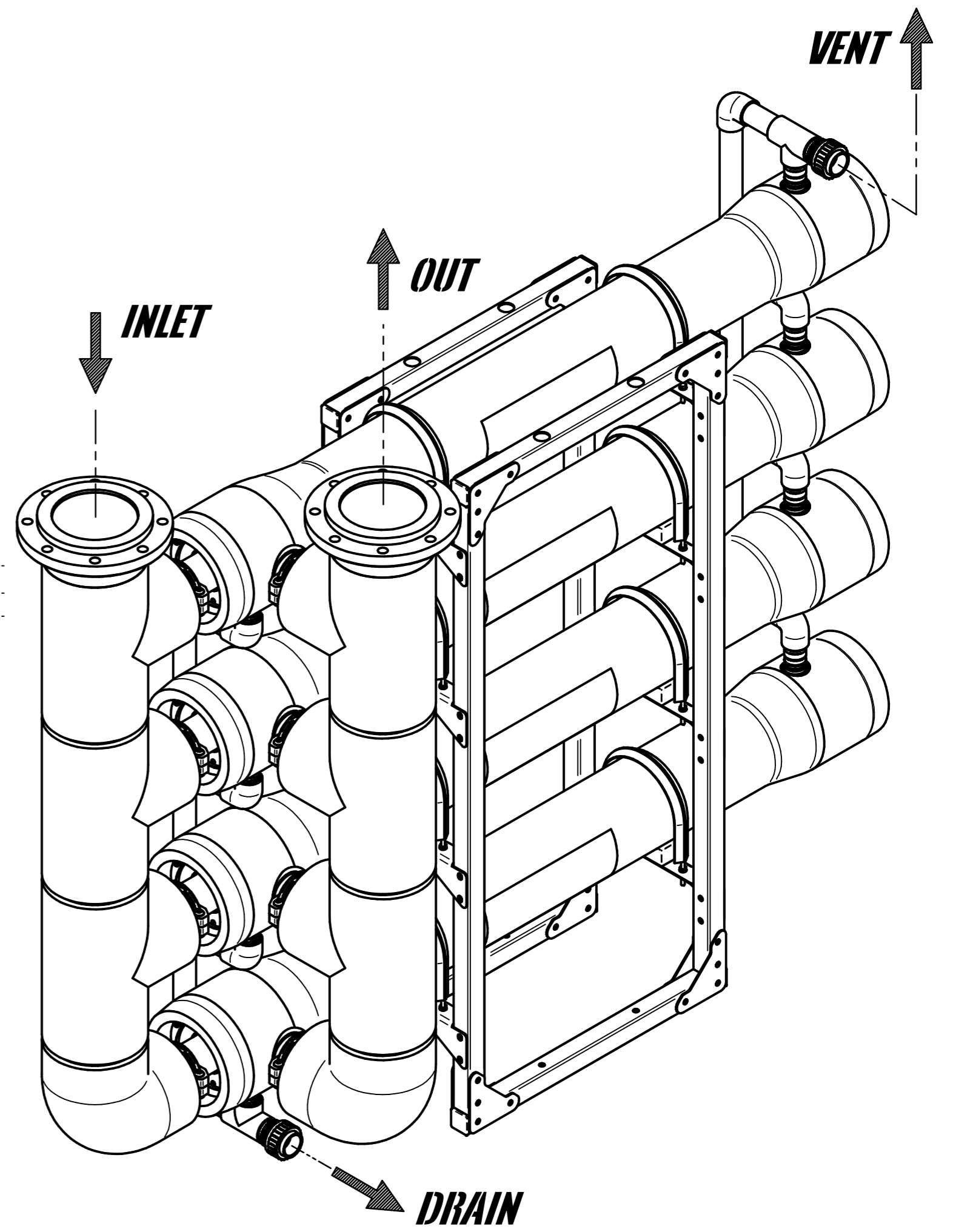
DN 40

DN 200

2496

1686

165




INLET

OUT

DRAIN

VENT

POS.	CODE	DENOMINATION		QUANTIT	MATERIALS
ALL DIMENSIONS MILLIMETERS	ALL SURFACES FINISH ROUGHNESS IN Ra μm	GENERAL TOLLERANCES UNLESS OTHERWISE SPECIFIED UNI-EN 22768-mk UNI-EN 22768-c		NOT QUOTED	FILLET R=0.3 CHAMFER 0.3x45°
SIMILAR TO	CRITICAL INDEX	WORK ORDER	JOB	QUANTITY	DRAWN DATE 11/02/2021 BY Tecnico
DENOMINATION				CODE	REV.
BAGBLUE FBL-S-03-4RS 12x20"				FBLS4RSFRP1220__WH	
				MODIFICATION	DATE BY
REPRODUCTION IS PROHIBITED - ALL RIGHTS RESERVED ACCORDING TO THE LAW				SCALE	PROJECTION
				1:10	1st